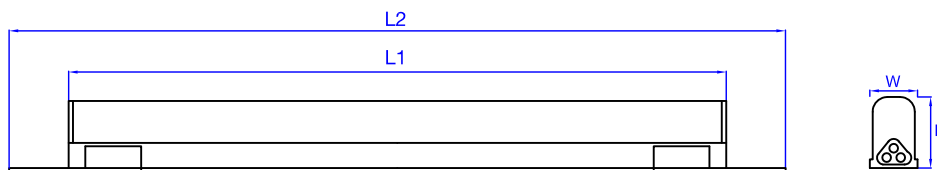
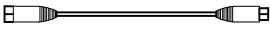



Dimensions

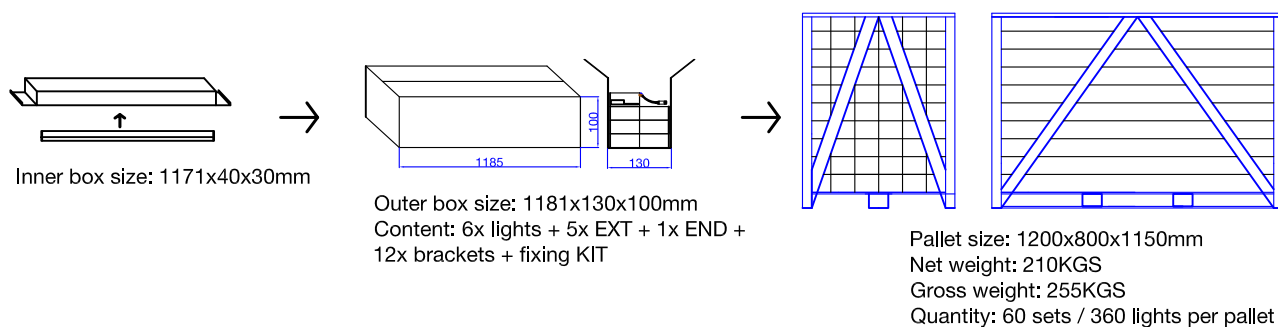


| Model No.      | L1(mm) | L2(mm) | W(mm) | H(mm) | Flux(lm) | Ra  | Input voltage |
|----------------|--------|--------|-------|-------|----------|-----|---------------|
| 05.SLK.T6B.12W | 865    | 1025   | 22    | 31    | 1200     | >80 | 180-265VAC    |
| 05.SLK.T6B.16W | 1155   | 1315   | 22    | 31    | 1600     | >80 | 180-265VAC    |

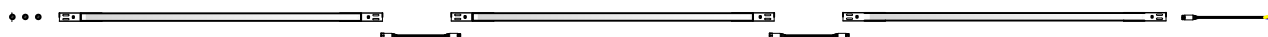
Cables

|   | Code           | Length (m) | Weight(kg) | Cable type                         |
|---|----------------|------------|------------|------------------------------------|
| <br>Connecting cable | 05.SLK.EXT.2M  | 2          | 0.13       | H05VVH2-F<br>3x0.75mm <sup>2</sup> |
|   | 05.SLK.EXT.3M  | 3          | 0.20       |                                    |
|   | 05.SLK.EXT.5M  | 5          | 0.32       |                                    |
| <br>End cable        | 05.SLK.END.10M | 10         | 0.55       |                                    |

Packaging



Connecting



 MAX 15x