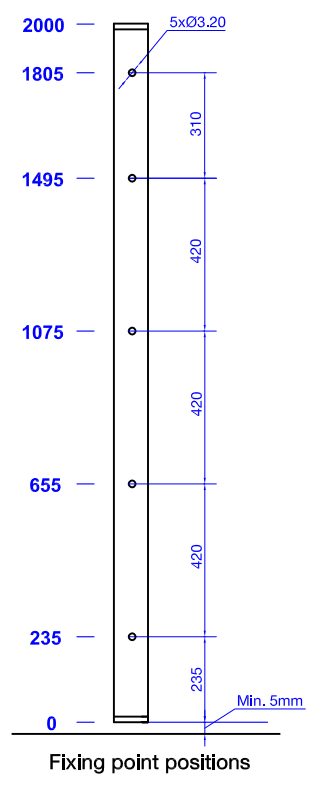
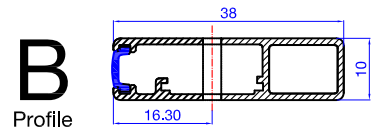
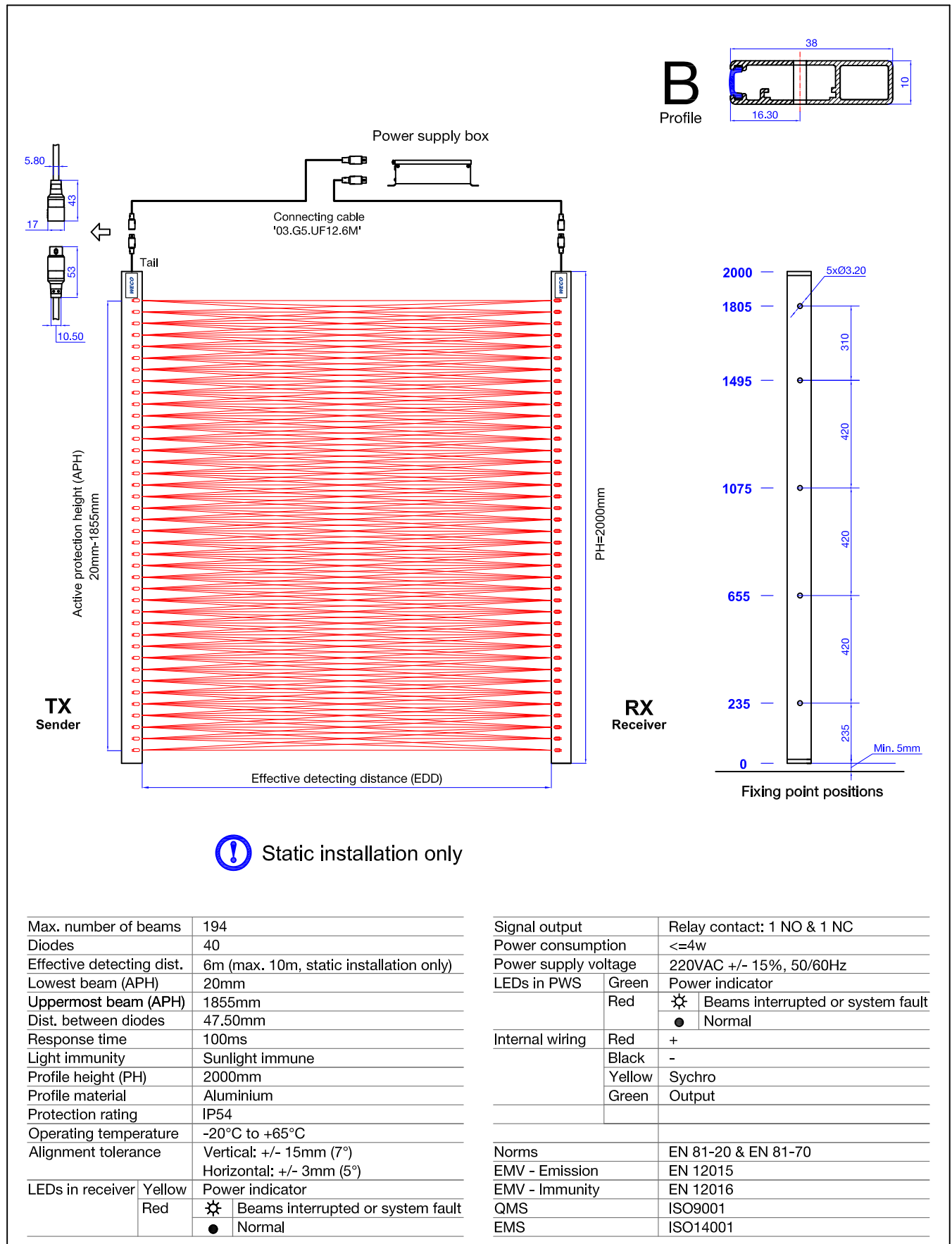


DATA SHEET  
DOOR DETECTOR 03.G5.BMX.FED.230



**!** Static installation only

Max. number of beams	194
Diodes	40
Effective detecting dist.	6m (max. 10m, static installation only)
Lowest beam (APH)	20mm
Uppermost beam (APH)	1855mm
Dist. between diodes	47.50mm
Response time	100ms
Light immunity	Sunlight immune
Profile height (PH)	2000mm
Profile material	Aluminium
Protection rating	IP54
Operating temperature	-20°C to +65°C
Alignment tolerance	Vertical: +/- 15mm (7°) Horizontal: +/- 3mm (5°)
LEDs in receiver	Yellow Power indicator
	Red  Beams interrupted or system fault
	Normal

Signal output	Relay contact: 1 NO & 1 NC	
Power consumption	<=4w	
Power supply voltage	220VAC +/- 15%, 50/60Hz	
LEDs in PWS	Green	Power indicator
	Red	Beams interrupted or system fault
		Normal
Internal wiring	Red	+
	Black	-
	Yellow	Synchro
	Green	Output
Norms	EN 81-20 & EN 81-70	
EMV - Emission	EN 12015	
EMV - Immunity	EN 12016	
QMS	ISO9001	
EMS	ISO14001	