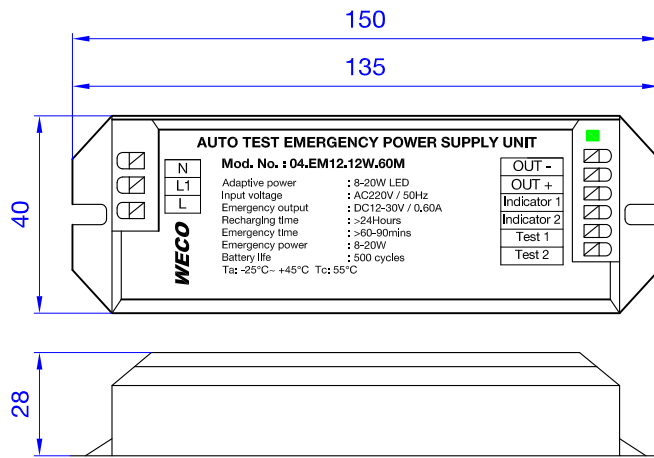


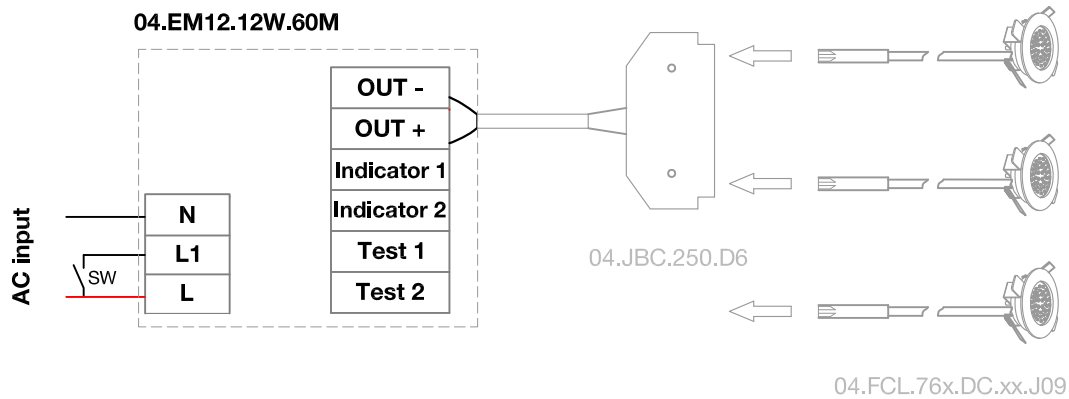
### Dimensions



### LED Indicator Status:

Charging		LED flashing slowly
Unit defective		LED flashing quickly
Fully charged		LED on
Battery empty		LED off
Discharge		LED off
No power		LED off

### Wiring



### Technical features

<b>Input voltage</b>	AC220V / 50Hz	<b>Adaptive power</b>	8 to 20W	<b>Emergency time</b>	60 to 90 mins
<b>Emergency output</b>	DC12-30V / 0,60A	<b>Emergency power</b>	8 to 20W	<b>Recharging time</b>	> 24 hours
<b>Battery life</b>	500 cycles	<b>Working tempt.</b>	-25 to 45°C	<b>Tc.</b>	55°C