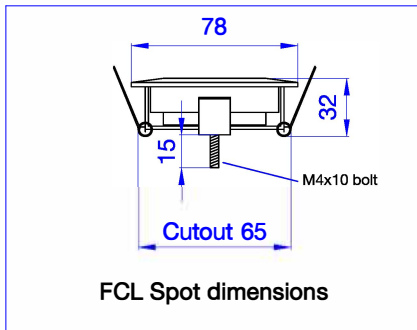
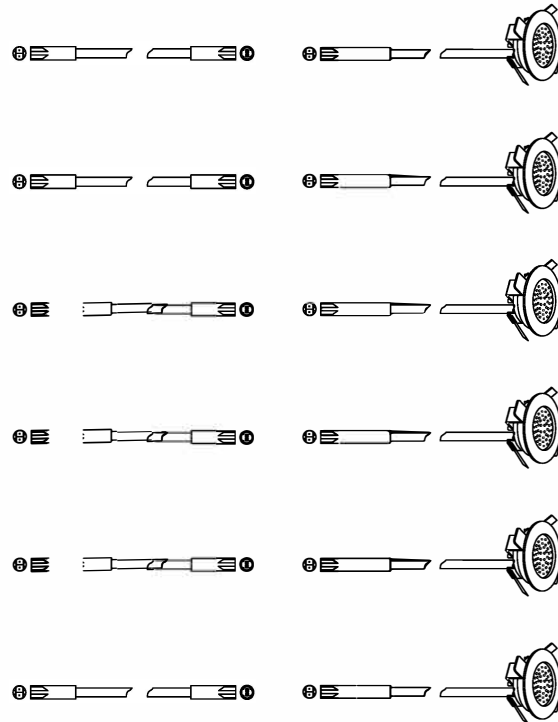


04.JBC.250.D6
Cable length: 1m



FCL Spot dimensions



OPTIONAL:
04.JBC.EXT.1M
Cable length: 1m

04.FCL.76x.xx.xx.J09
Cable length: 1m

04.EM12.12W.60M

OPTIONAL: emergency power supply

-
- Max. 6 spots
-

1 x FCL Spot 6hrs Emergency light
2 x FCL Spot 3hrs Emergency light (UK Regulation)
6 x FCL Spot 1hrs Emergency light (EN 81-20)

Technical features

Input voltage	200-240VAC	Spot power	3W	Cable length	1m
Max. output channel	6 channels	Spot lumen	300lm	Cable type	H03VVH2-F 2x0.75mm ²
Max. current	2.5A	Spot housing material	Aluminium	Certification	CE, RoHS