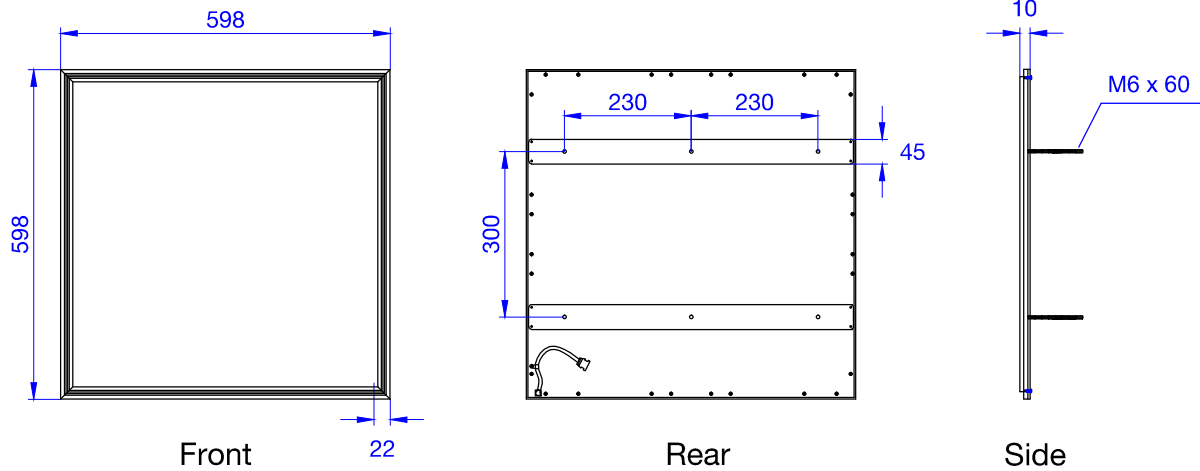
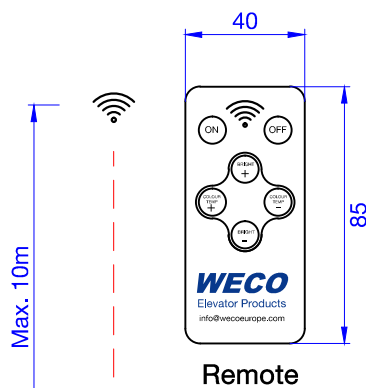


### Dimensions



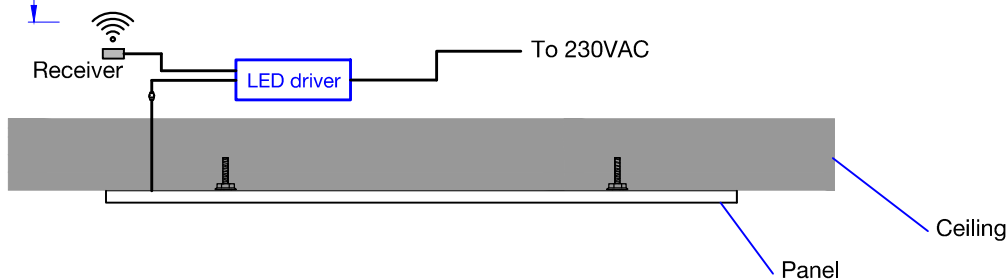
### Installation



#### Remote instruction

1. 'ON': turn on the panel
2. 'OFF': turn off the panel
3. 'BRIGHT+': press once for + 10% brightness
4. 'BRIGHT-': press once for - 10% brightness
5. 'COLOUR TEMP+': press once for + 10% the colour temperature (K)
6. 'COLOUR TEMP-': press once for - 10% the colour temperature (K)

ⓘ The remote control uses infrared technology. As such, any obstruction between the remote control and the infrared receiver may result in loss of function.



### Technical features

Power	Lumens	Input voltage	CCT
36W	2800 ~ 3300lm	100 ~ 240VAC	Adjustable from 3000 ~ 6000K