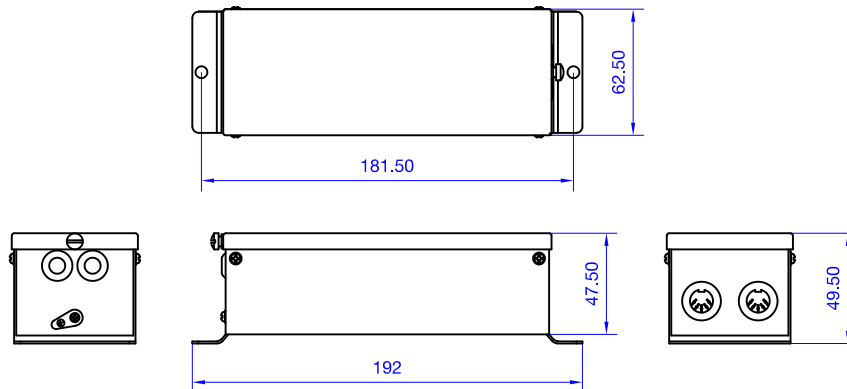
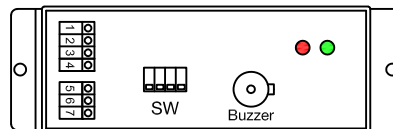


Dimensions



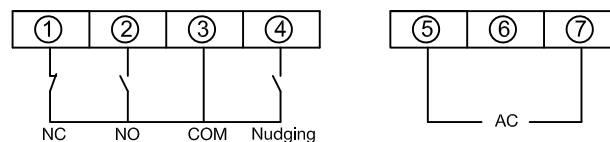
LED Indicators & Buzzer Settings



	Red LED		ON	Beams obstructed or system fault
	Red LED		OFF	Normal
	Green LED		ON	Power on
	Green LED		OFF	Power off

	SW1	Buzzer functions	ON	Buzzer on	OFF	Buzzer off
	SW2	Buzzer delay	ON	Delay 20s	OFF	Delay 30s
	SW3	Buzzer active	ON	Infinite	OFF	60s
	SW4	Buzzer setting	ON	Intermittent	OFF	Constant

Wiring



! The nudging output will activate after 60 seconds of continuous interruption of the beams. The relay will remain open during normal operation but will close when the nudging output is activated.

Model

03.G5.PWS.XN5.230	220VAC±15%, 50/60Hz, 4w
03.G5.PWS.XN5.110	110VAC±15%, 50/60Hz, 4w