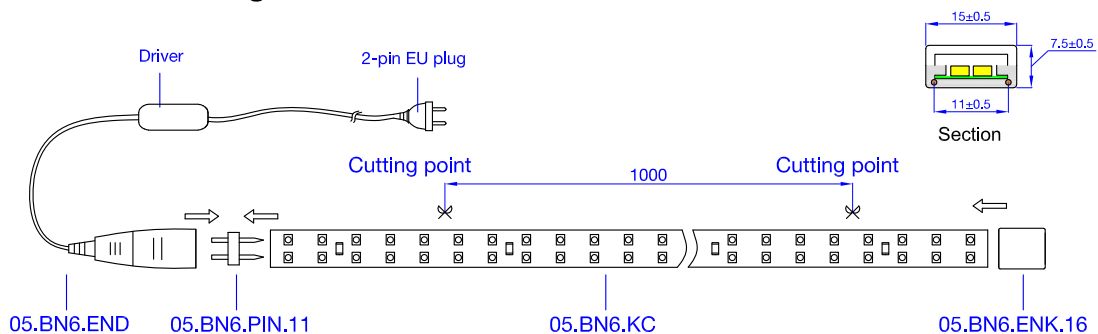


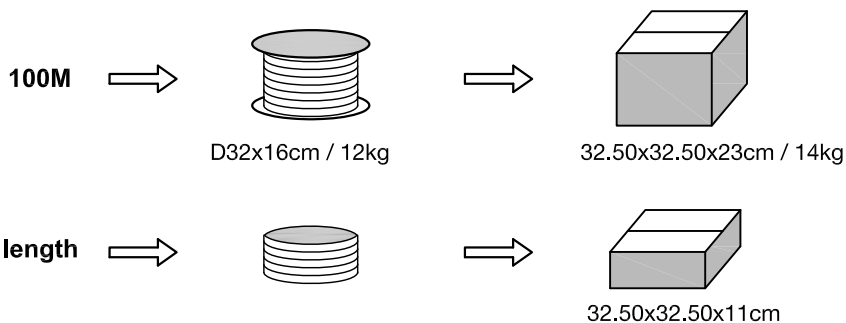
Commission Length



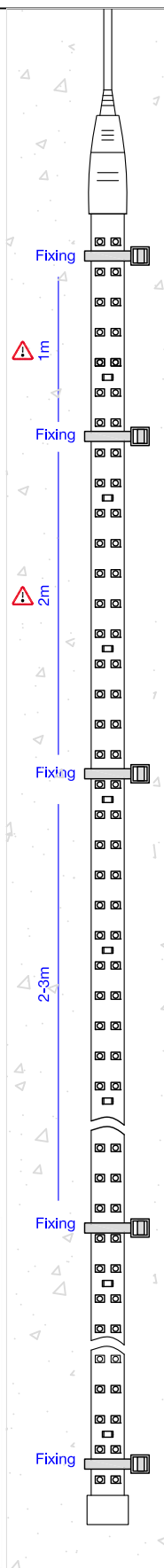
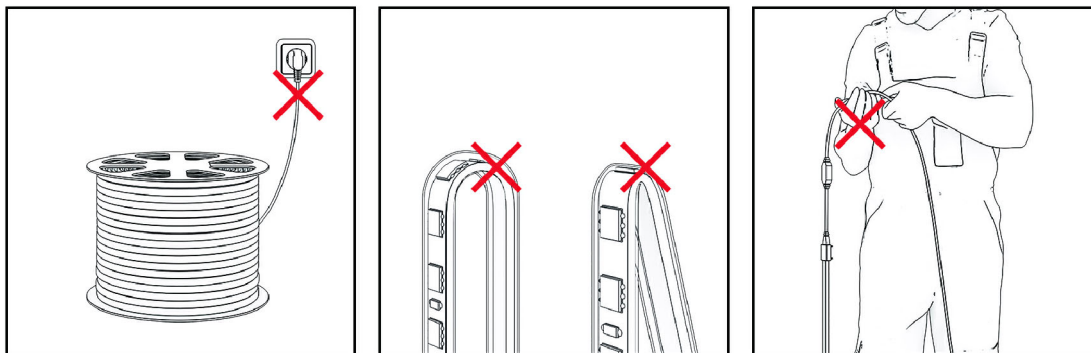
Technical features

Input Voltage	Lumens	Cutting Point	Diodes/m	Material Coating	Lifetime
220VAC±10%, 50/60Hz	820lm	Every 1m	144	PVC Flame retardant	30,000 hours
Max. Current	Light Colour	Max. Length	LED Model	Cable Type	IP Rating
5A	6500K ± 300	100m	SMD2835	H03VVH ₂ -F 2x0.75mm ²	IP65
Power/m	Driver Power	Weight	Beam Angle	Ambient Temperature	Max. Shaft Size
7.2W	1200W	115g/m	120°	-15°C to +45°C	2.6x2.8m

Packaging



Warnings



Doc. Nr.	05.BN6.KC	Date	12.OCT.2022
Control	E52134F-DJ		