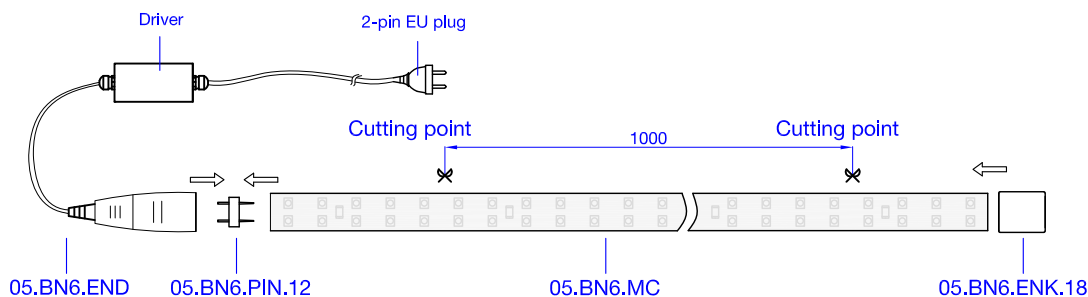


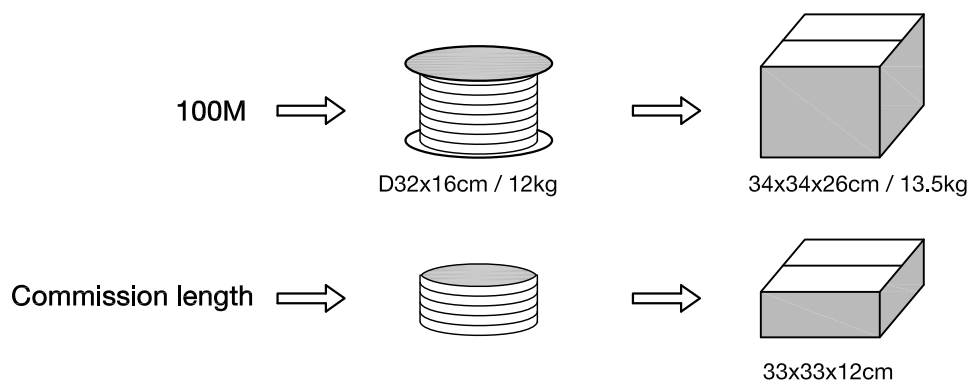
Commission Length



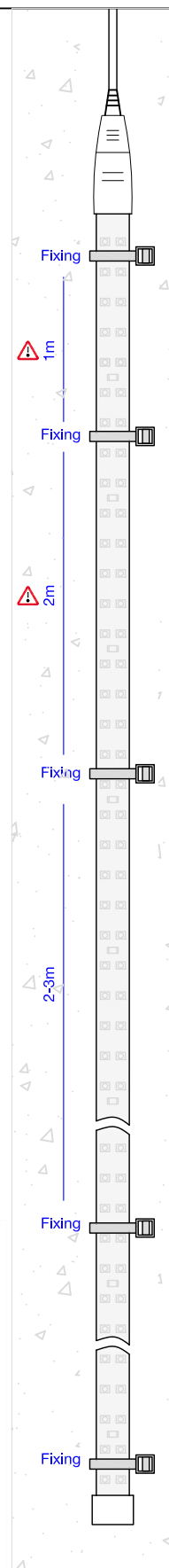
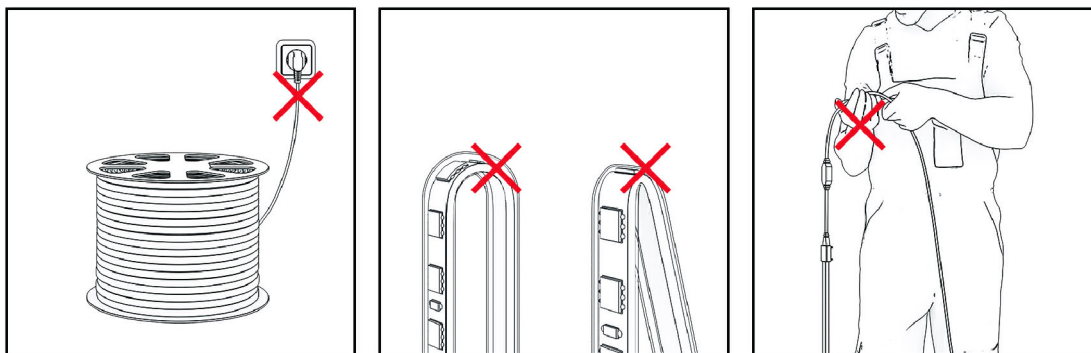
Technical features

Input Voltage	Lumens	Cutting Point	Diodes/m	Material Coating	Lifetime
230VAC±10%, 50/60Hz	500lm	Every 1m	120	PVC Flame retardant	50,000 hours
Max. Current	Light Colour	Max. Length	LED Model	Cable Type	IP Rating
2.5A	6500K±8%	50m	SMD2835	H05VVH ₂ -F 2x1.0mm ²	IP65
Power/m	Driver Power	Weight	Beam Angle	Ambient Temperature	Max. Shaft Size
7.5W	600W	115g/m	120°	-15°C to +45°C	2.6x2.8m

Packaging



Warnings



Doc. Nr.	05.BN6.MC	Date	07.MAY.2020
Control	E52141F-DJ		