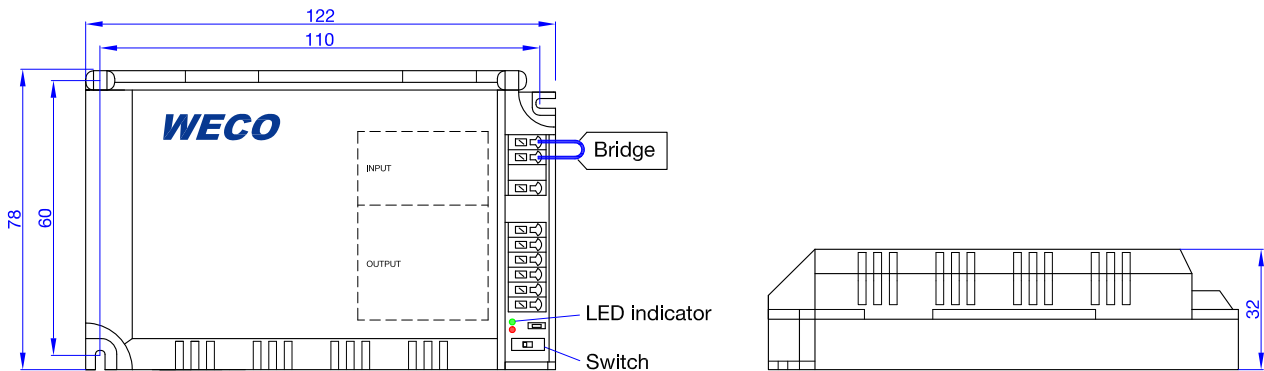


Dimensions



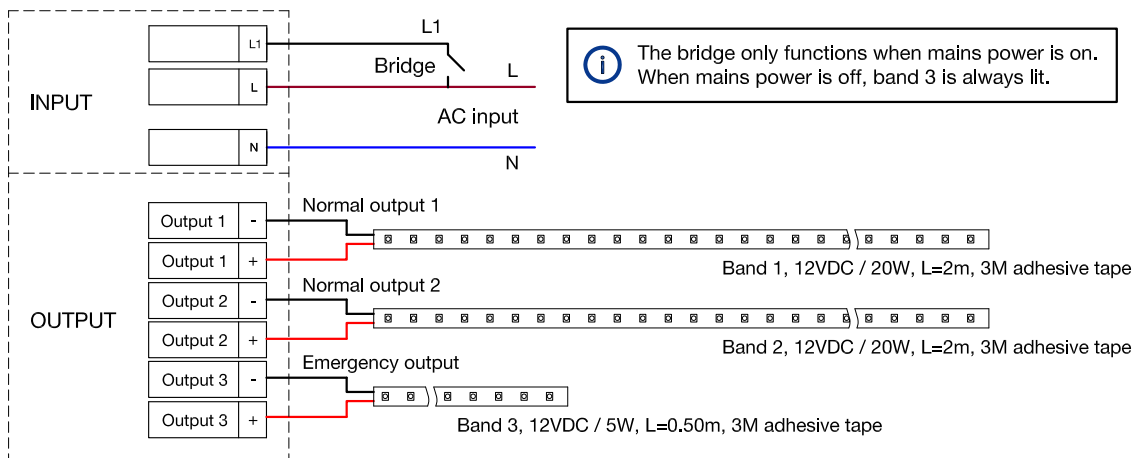
Switch settings:

Switch	Mode	Bridge	LED band status
ON	Maintained	Bridged (default)	Band 1, 2 and 3 are lit
		Disconnected	Band 1, 2 and 3 are off
OFF	Non-maintained	Bridged (default)	Band 1 and 2 are lit, band 3 is off
		Disconnected	Band 1, 2 and 3 are off

LED indicator status:

Charging	●	Red LED ON
Mains power ON	●	Green LED ON
Fully charged	○	Red LED OFF
Mains power OFF	○	Green LED OFF

Wiring



Technical features

Input voltage	100-240VAC, 50/60Hz	Emerg. output	12VDC, 5W	Battery type	Li-ion, 3.7V 5000mAh
Normal output 1	12VDC, 20W	Emerg. time	> 3 hours	Life cycle	>500 times
Normal output 2	12VDC, 20W	Recharging time	≤ 24 hours	Ta. / Tc.	0 - 50°C / 55°C

i We recommend charging the battery pack every 6 months.
We recommend replacing the battery pack every 3 years.