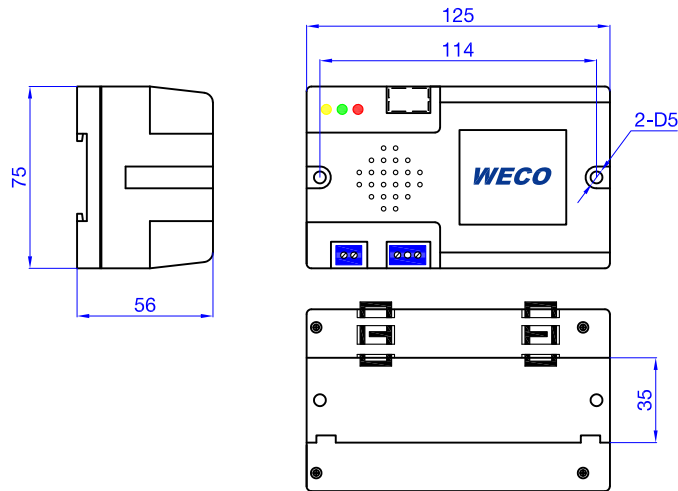
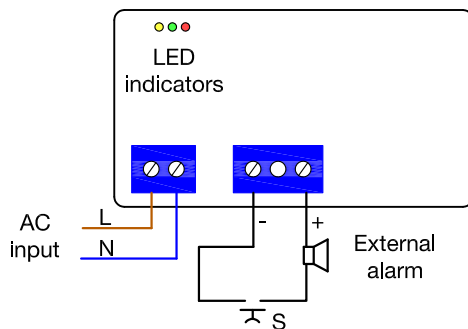


Dimensions



Wiring and LED indicator status



LED indicator	ON	Status
Yellow		Charging
Green		Fully charged
Red		On emergency or faulty

Specifications

Input voltage	100-240VAC	Battery type	Li-ion
AC power	10W	Battery capacity	3.7V, 1200mAh
Output	6VDC, 0.6A	Housing material	ABS
Peak current	2.2A	Terminal type	KF128-5.08
Emergency power	2W alarm	Working temperature	-20°C to 50°C
Emergency time	120mins@2W	Storage temperature	-20°C to 80°C
Internal alarm	N/A	Average lifespan	30,000 hours
Charging time	>10 hours	Weight	179g



**We recommend charging the battery pack every 6 months.
We recommend replacing the battery pack every 4 years.
Replacing the Li-ion batteries will void the warranty.**