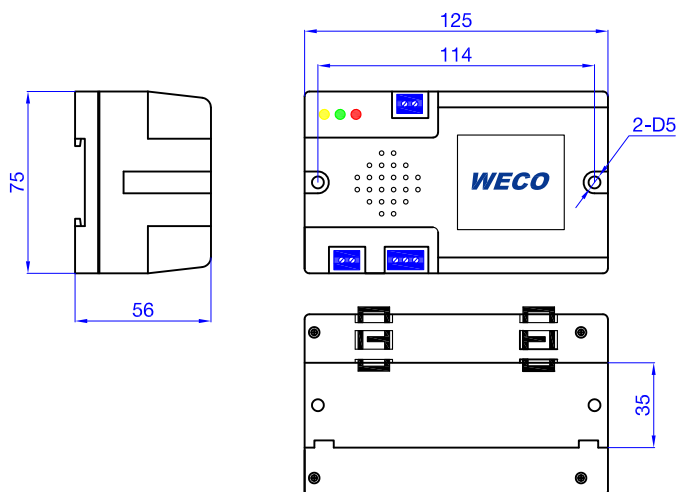
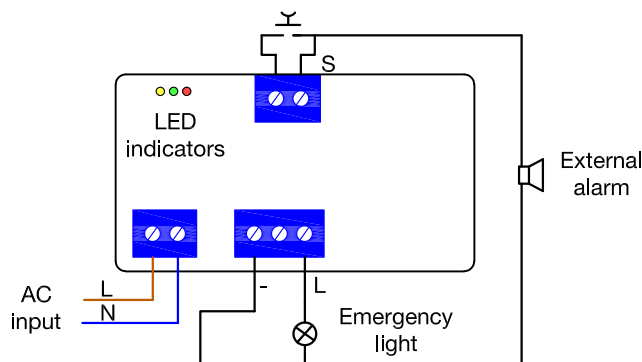


### Dimensions



### Wiring and LED indicator status



| LED indicator | ON | Status                 |
|---------------|----|------------------------|
| Yellow        |    | Charging               |
| Green         |    | Fully charged          |
| Red           |    | On emergency or faulty |

### Specifications

|                        |                     |                            |               |
|------------------------|---------------------|----------------------------|---------------|
| <b>Input voltage</b>   | 100-240VAC          | <b>Battery type</b>        | Li-ion        |
| <b>AC power</b>        | 10W                 | <b>Battery capacity</b>    | 3.7V, 2000mAh |
| <b>Output</b>          | 6VDC, 1.3A          | <b>Housing material</b>    | ABS           |
| <b>Peak current</b>    | 4.4A                | <b>Terminal type</b>       | KF128-5.08    |
| <b>Emergency power</b> | 5W light + 2W alarm | <b>Working temperature</b> | -20°C to 50°C |
| <b>Emergency time</b>  | 60mins@5W           | <b>Storage temperature</b> | -20°C to 80°C |
| <b>Internal alarm</b>  | N/A                 | <b>Average lifespan</b>    | 30,000 hours  |
| <b>Charging time</b>   | >10 hours           | <b>Weight</b>              | 191g          |



**We recommend charging the battery pack every 6 months.  
We recommend replacing the battery pack every 4 years.  
Replacing the Li-ion batteries will void the warranty.**