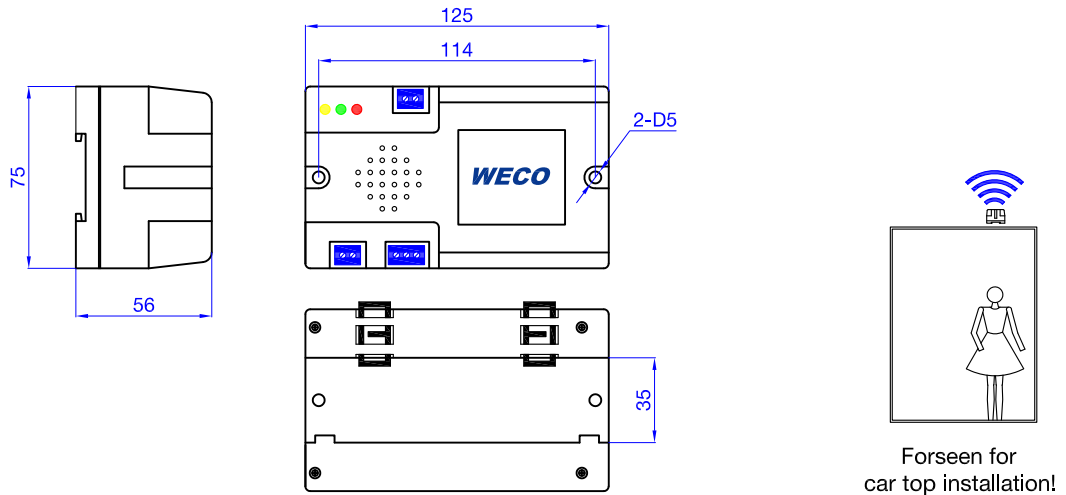
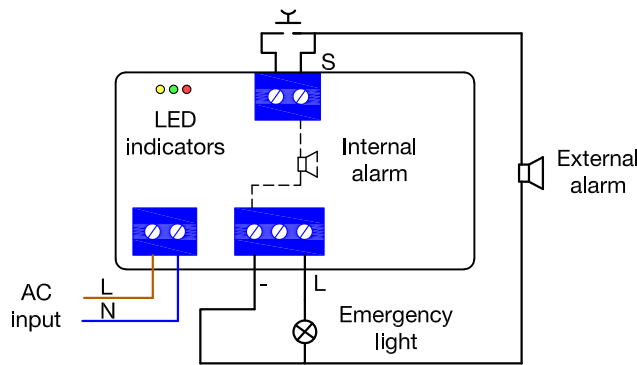


**Dimensions**



**Wiring and LED indicator status**



LED indicator	ON	Status
Yellow	●	Charging
Green	●	Fully charged
Red	●	On emergency or faulty

**Specifications**

<b>Input voltage</b>	100-240VAC	<b>Battery type</b>	Li-ion
<b>AC power</b>	10W	<b>Battery capacity</b>	7.4V, 2000mAh
<b>Output</b>	12VDC, 1.3A	<b>Housing material</b>	ABS
<b>Peak current</b>	4.4A	<b>Terminal type</b>	KF128-5.08
<b>Emergency power</b>	5W light + 2W alarm	<b>Working temperature</b>	-20°C to 50°C
<b>Emergency time</b>	60mins@5W	<b>Storage temperature</b>	-20°C to 80°C
<b>Internal alarm</b>	90dB	<b>Average lifespan</b>	30,000 hours
<b>Charging time</b>	>10 hours	<b>Weight</b>	242g



**We recommend charging the battery pack every 6 months.  
We recommend replacing the battery pack every 4 years.  
Replacing the Li-ion batteries will void the warranty.**