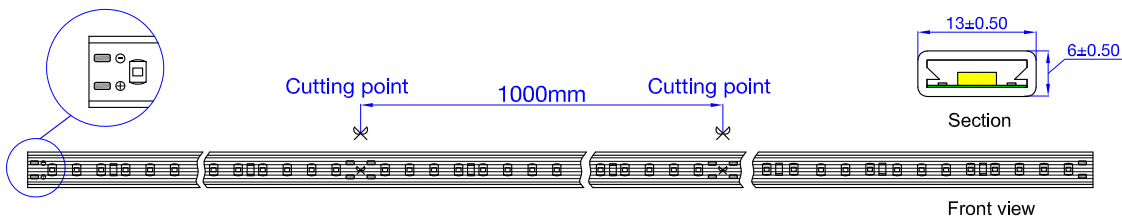
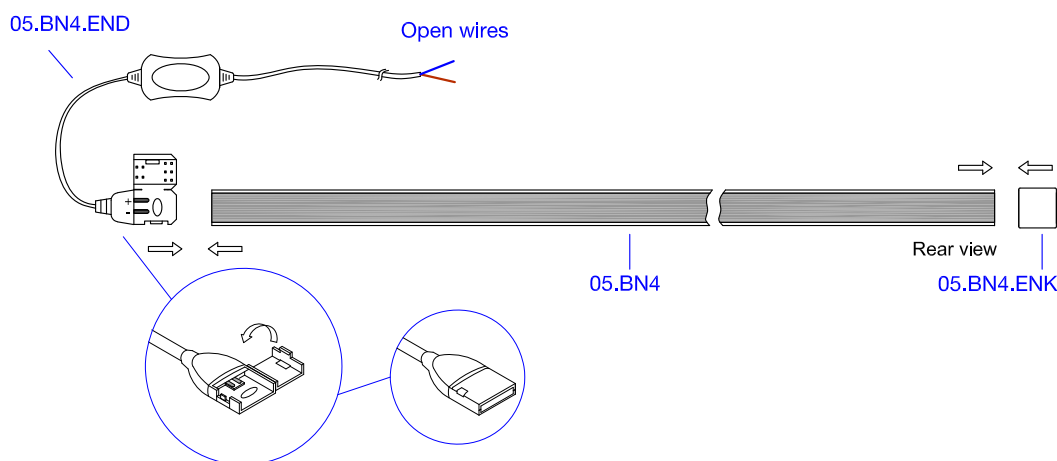


Dimensions of LED band



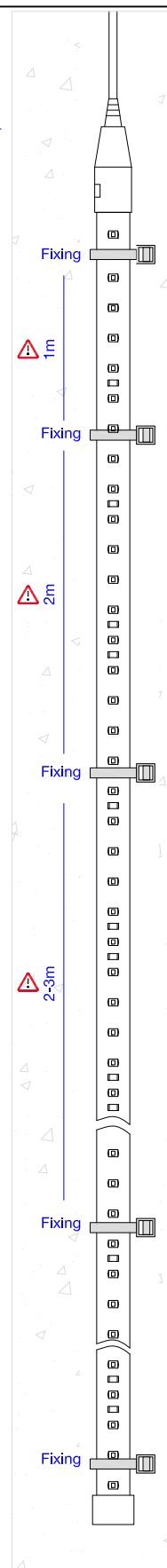
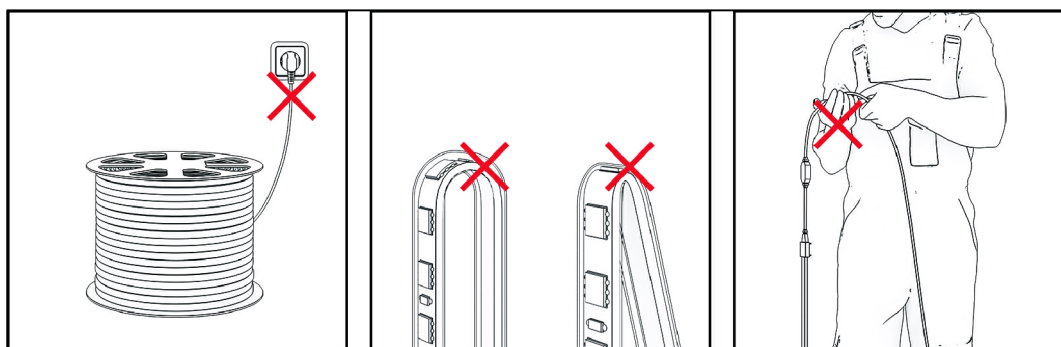
Commission length



Technical features

Input Voltage	Lumens	Cutting Point	Diodes/m	Cable Type
230VAC±10%, 50/60Hz	480lm	Every 1m	120	H03VVH ₂ -F 2x0.75mm ² H05VVH ₂ -F 2x1.00mm ²
Max. Current	Light Colour	Max. Length	LED Model	Ambient Temperature
2.5A	4500K	50m	SMD2835	-15°C to +55°C
Power/m	Beam Angle	IP Rating	Lifetime	Material Coating
7W	120°	IP65	30,000 hours	PVC

Warnings



Doc. Nr.	05.BN4.MLK	Date	21.JUL.2021
Control	E52220F-DJ		