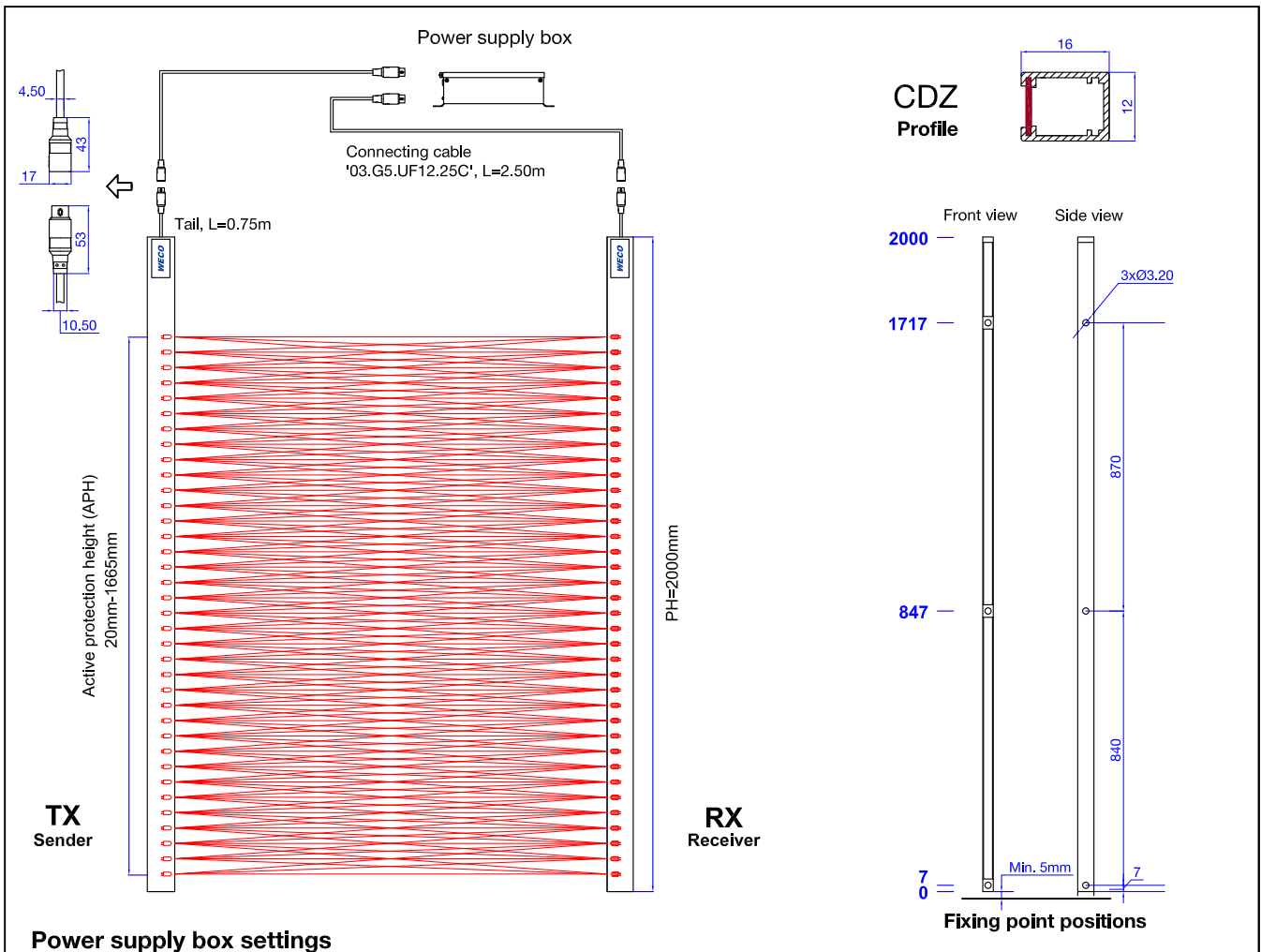
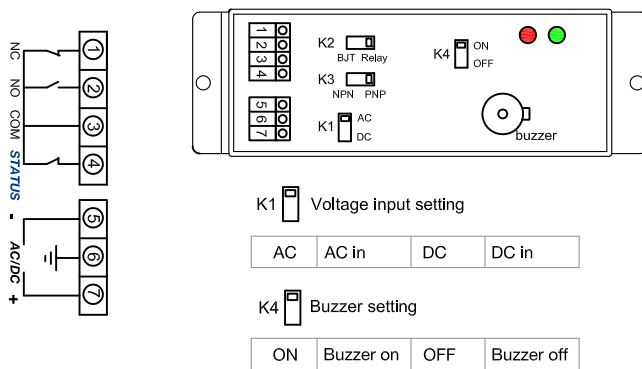


# DATA SHEET

## DOOR DETECTOR 03.G5.CDZ.174.FX6



### Power supply box settings



Red LED	<input checked="" type="radio"/>	Beams obstructed or system fault	Green LED	<input checked="" type="radio"/>	Power on
	<input type="radio"/>	Normal		<input type="radio"/>	Power off

K2  Select relay output  
 K3  Select transistor NPN or PNP output

Output model	K2	K3	K1
Relay output	Relay	N/A	AC
Relay output	Relay	N/A	DC
Transistor NPN	BJT	NPN	DC
Transistor PNP	BJT	PNP	DC

**!** Transistor output model only works when 'DC in' is selected!

Max. number of beams	174
Diodes	36
Effective detecting dist.	0mm - 4000mm
Lowest beam (APH)	20mm
Uppermost beam (APH)	1665mm
Dist. between diodes	47.50mm
Response time	<100ms
Light immunity	100,000lux
Profile height (PH)	2000mm
Profile material	Aluminium
Protection rating	IP54
Operating temperature	-20°C to +65°C

Alignment tolerance	Vertical: +/- 15mm (7°) Horizontal: +/- 3mm (5°)
Power supply voltage	15VDC - 30VDC 220VAC±15%, 50/60Hz
LEDs in receiver	Yellow Power indicator Red <input checked="" type="checkbox"/> Beams interrupted or system fault <input type="checkbox"/> Normal
Norms	EN 81-20
EMC - Emission	EN 12015
EMC - Immunity	EN 12016
QMS	ISO9001
EMS	ISO14001

Doc. Nr.	03.G5.CDZ.174.FX6	Date	26.NOV.2021
Control	E319550F-DJ		